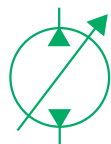
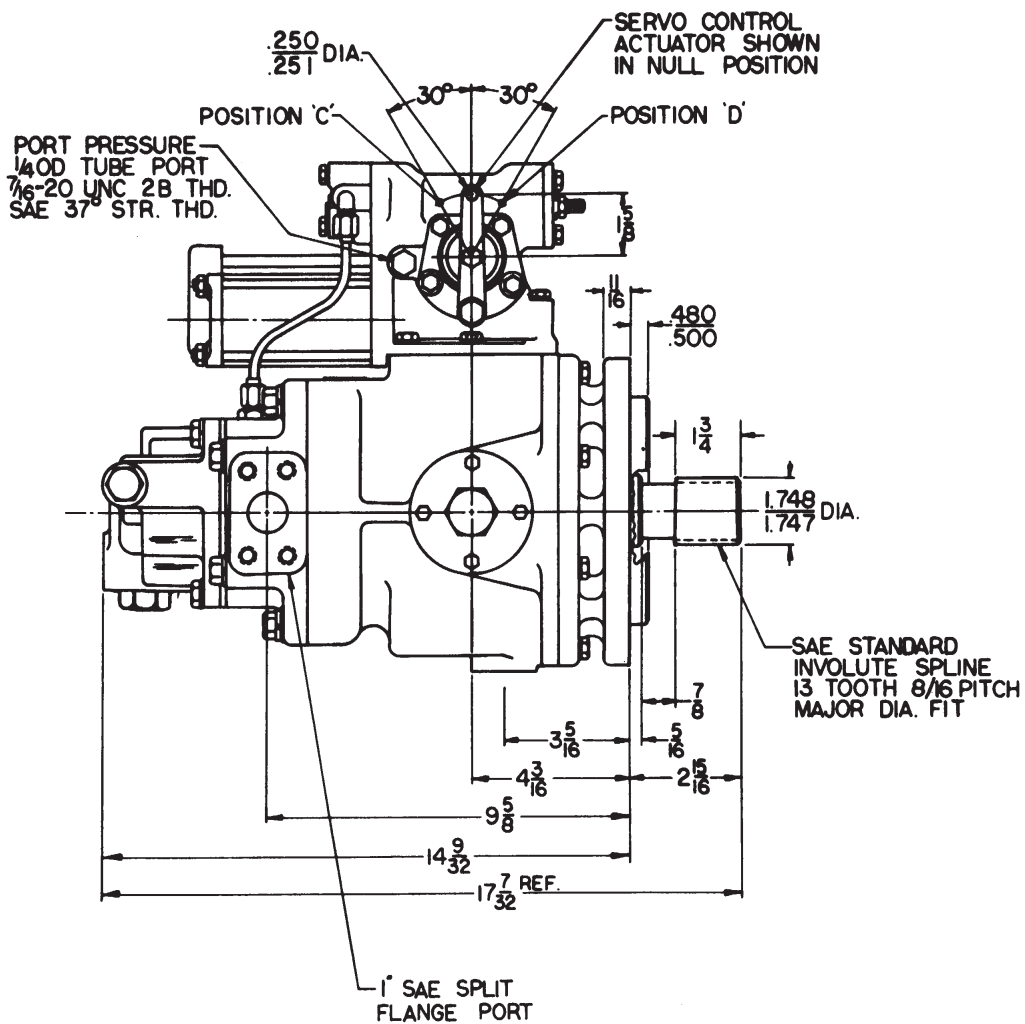


DynaPower Phase IV

Return to
DYNAPOWER index

Return to
MAIN index

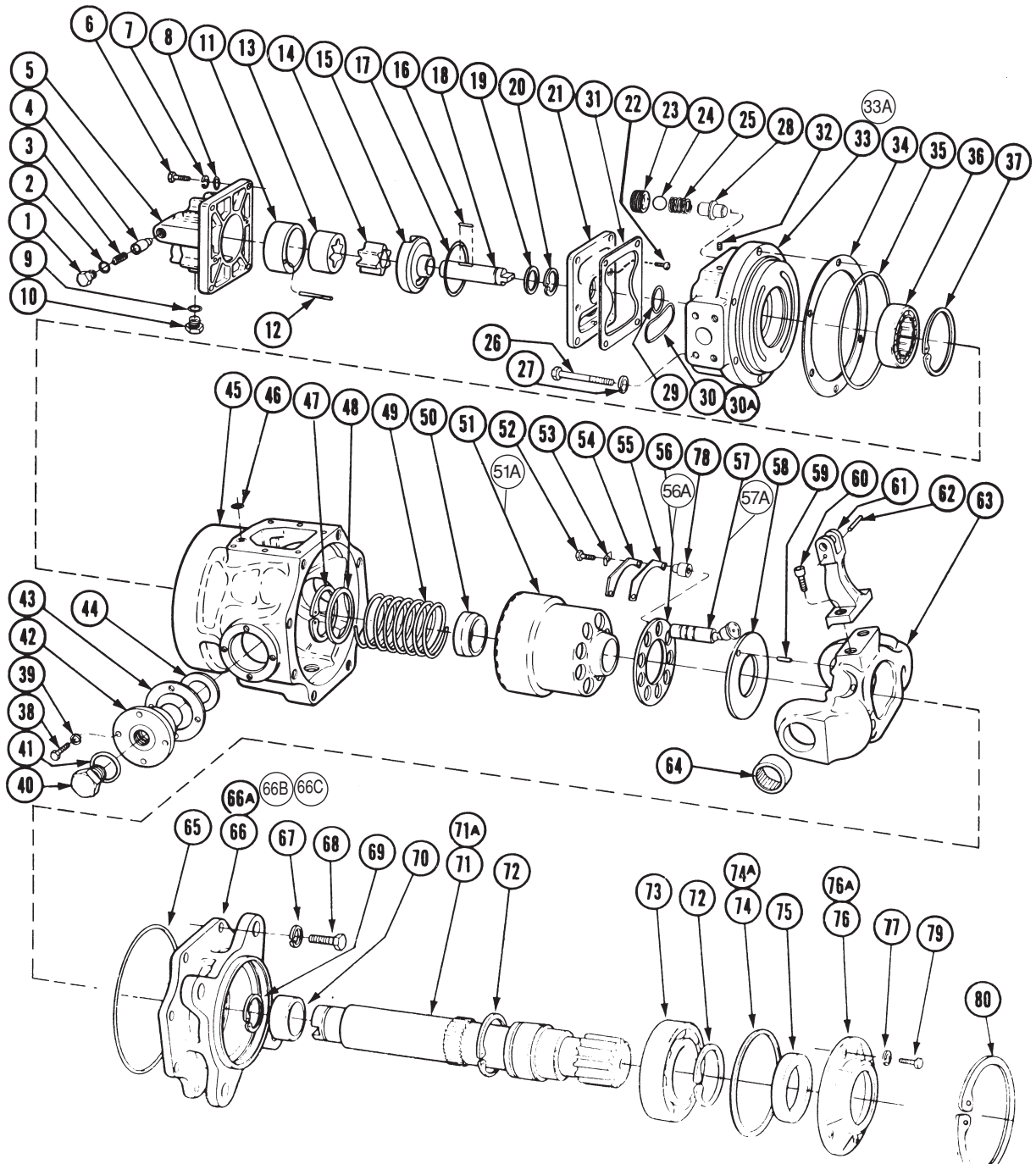


DYNAPOWER





DYNAPOWER MODEL 4.5 & 6.0 PHASE IV VARIABLE PUMP PARTS DRAWING





DYNAPOWER 4.5 & 6.0 PHASE IV VARIABLE PUMP

REF. NO.	PART NO.	DESCRIPTION
1	841811	Plug
2	871114	O'Ring
3	841720	Spring
4	841812	Plunger
5	841936	Charge Pump Housing
6	870234	Hex Bolt (4 Req'd)
7	870492	Lock Washer
8	870531	Washer (4 Req'd)
9	871212	O'Ring
10	872678	Plug
11	830335	Spacer Assem. (Includes Item 12)
12	872801	Roll Pin
13	830336	Rotor Assem. (Includes Item 14)
14		Rotor Assem. (Includes Item 14)
15	841711	Valve Plate
16	872802	Key
17	871230	O'Ring
18	841709	Charge Pump Shaft
19	841708	Spacer
20	871951	Retaining Ring
21	841713	Port Plate
22	872811	Screw (2 Req'd)
23	841715	Valve Seat (2 Req'd)
24	872804	Ball (2 Req'd)
25	841830	Spring (2 Req'd)
26	870274	Hex Bolt (6 Req'd)
27	870492	Lock Washer (6 Req'd)
28	842073	Valve Seat (2 Req'd)
29	871214	O'Ring
30	871230	O'Ring (Old Style)
30A	871226	O'Ring (New Style)
31	872856	Gasket
32	872493	Pipe Plug (2 Req'd)
33	841842	Cover 4.5
33A	841843	Cover 6.0
34	840073	Gasket



DYNAPOWER 4.5 & 6.0 PHASE IV VARIABLE PUMP

REF. NO.	PART NO.	DESCRIPTION
35	871158	O'Ring
36	870648	Bearing (Includes Item 70)
37	871946	Retaining Ring
38	870160	Hex Bolt (8 Req'd)
39	870480	Lock Washer (8 Req'd)
40	872678	Plug (2 Req'd)
41	871212	O'Ring (2 Req'd)
42	840756	Trunnion (2 Req'd)
43	840031	Gasket (2 Req'd)
44	840029	Thrust Washer (2 Req'd)
45	840024	Housing
46	871011	O'Ring
47	870103	Retaining Ring
48	840023	Upper Spring Seat
49	840022	Spring
50	840021	Lower Spring Seat
51	841664	Cylinder Block 4.5
51A	841665	Cylinder Block 6.0
52	870181	Hex Bolt (4 Req'd)
53	841163	Tab Lock Washer (4 Req'd)
54	850061	Crescent Bearing (2Req'd)
55	850060	Crescent Bearing (2Req'd)
56	841225	Return Plate 4.5
56A	840898	Return Plate 6.0
57	830697	Piston Assem. 4.5 (9 Req'd)
57A	830698	Piston Assem. 6.0 (9 Req'd)
58	841226	Wear Plate
59	870045	Roll Pin
60	870888	Cap Screw (2 Req'd) See Item 63A
61	840897	Lever Assem. (Includes Item 62) See Item 63A
62	840067	Pin
63	841185	Cam
64	870647	Trunnion Bearing
65	875261	Sq. Ring
66	841253	Flange S.A.E. "D" 4.5
*66A	841762	Flange S.A.E. "C" 6.0



DYNAPOWER 4.5 & 6.0 PHASE IV VARIABLE PUMP

REF. NO.	PART NO.	DESCRIPTION
66B	841228	Flange S.A.E. "D" 6.0
*66C	841761	Flange S.A.E. "C" 4.5
67	870492	Lock Washer (8 Req'd)
68	870194	Hex Bolt (8 Req'd)
69	870101	Retaining Ring
70		See Item 36
71	841704	Shaft S.A.E. "D" 4.5 & 6.0
*71A	841767	Shaft S.A.E. "C" 4.5 & 6.0
72	870102	Retaining Ring (2 Req'd)
73	870642	Bearing
74	875243	O'Ring S.A.E. "D"
*74A	871242	O'Ring S.A.E. "C"
75	870106	Shaft Seal
76	830231	Seal Retainer Assem. (Includes Item 75)
*76A	830338	Seal Assem. (Used With Items 66A, 71A, 74A, & 80)
77	870480	Lock Washer (4 Req'd)
78	841248	Spacer (4 Req'd)
79	870150	Hex Bolt (4 Req'd)
*80	872807	Retaining Ring (2 Req'd) Used With Items 66A,71A,74A & 76A

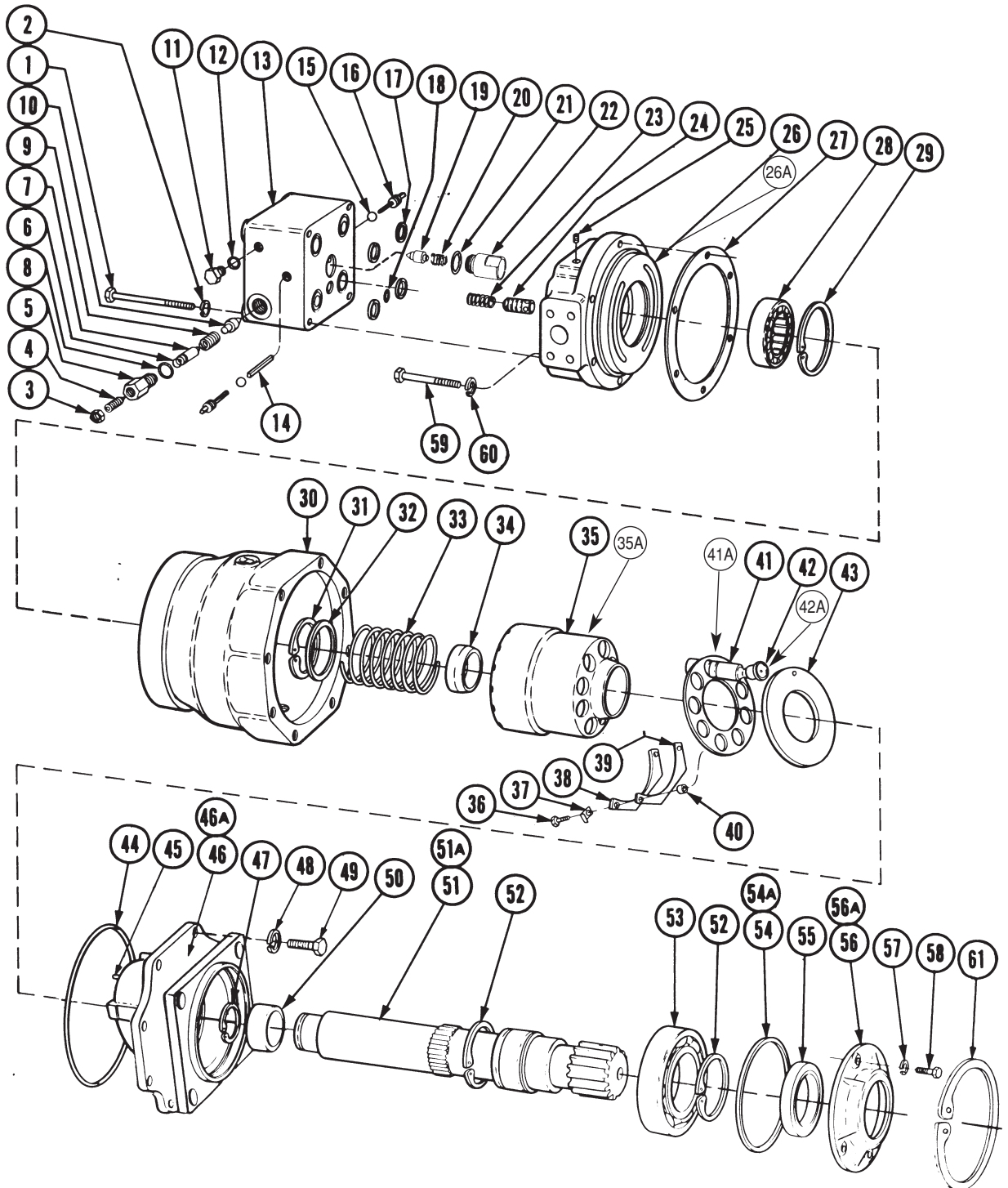
* Designates Parts Used On S.A.E. "C" Mounting

SERVICE KITS

REF. NO.	DESCRIPTION
894229	CCW Rotation Charge Pump Replacement Kit Includes Items 1,2,3,4, 5,6,7,8,9,10,11,12,13,14,15,16,17,18,19,20,21,22,30, & 31
894249	CW Rotation Charge Pump Replacement Kit Includes Items 1,2,3,4, 5,6,7,8,9,10,11,12,13,14,15,16,17,18,19,20,21,22,30, & 31
894230	4.5 Rotating Group Includes Items 47,48,49,50,51,52,53,54,55,56,57,58, & 78
894192	S.A.E. "D" Shaft Seal Kit Includes Items 74,75,76
894236	S.A.E. "D" Packing Kit Includes Items 2,9,17,30,31,34,35,41,43,44,46,65,74, & 75
894311	S.A.E. "C" Packing Kit Includes Items 30,31,34,35,41,43,44,46,65,74A, & 75
894231	6.0 Rotating Group Includes Items 47,48,49,50,51A,52,53,54,55,56A,57A,58, & 78



**DYNAPOWER 4.8 & 6.0 PHASE IV FIXED MOTOR
SAE "C" & "D" FLANGE AND SHAFT
PARTS DRAWING**





**DYNAPOWER 4.8 & 6.0 PHASE IV FIXED MOTOR
SAE "C" & "D" FLANGE AND SHAFT**

REF. NO.	PART NO.	DESCRIPTION
1	870281	Hex Bolt - 4 Req'd.
2	870492	Lock Washer - 4 Req'd.
3	870563	Jam Nut - 2 Req'd.
4	872732	Adjusting Screw - 2 Req'd.
5	841701	Spring Seat - 2 Req'd.
6	871012	O'ring - 2 Req'd.
7	841702	Spacer - 2 Req'd.
8	871908	O'ring - 2 Req'd.
9	841700	Spring - 2 Req'd.
10	841669	Valve - 2 Req'd.
11	840146	Plug - 2 Req'd.
12	871012	O'ring - 2 Req'd.
13	841696	Valve Housing
14	841703	Bleed Pin
15	872523	Ball - 2 Req'd.
16	830377	Bleed Plug - 2 Req'd.
17	876119	Sq. Ring - 4 Req'd.
18	871113	O'ring
19	841699	Pilot Valve
20	841914	Spring - 2 Req'd.
21	871120	O'ring
22	841915	Spring Seat
23	841295	Spring - 2 Req'd.
24	841310	Valve - 2 Req'd.
25	872493	Plug - 2 Req'd.
26	841844	Cover 4.8
26A	841845	Cover 6.0
27	840073	Gasket
28	870648	Bearing
29	871946	Retaining Ring
30	841188	Housing
31	870103	Retaining Ring
32	840023	Upper Spring Seat
33	840022	Spring
34	840021	Lower Spring Seat
35	841664	Block 4.8
35A	841665	Block 6.0
36	870151	Hex Bolt - 4 Req'd.
37	841163	Tab Lock Washer - 4 Req'd.
38	850061	Crescent Clip - 2 Req'd.
39	850060	Crescent Bearing - 2 Req'd.
40	841321	Spacer - 4 Req'd.
41	841225	Return Plate 4.8
41A	840898	Return Plate 6.0



**DYNAPOWER 4.8 & 6.0 PHASE IV FIXED MOTOR
SAE "C" & "D" FLANGE AND SHAFT**

REF. NO.	PART NO.	DESCRIPTION
42	830697	Piston Assem. 4.8 - 9 Req'd.
42A	830698	Piston Assem. 6.0 - 9 Req'd.
43	841226	Wear Plate
44	875163	Sq. Ring
45	870045	Roll Pin
46	830230	Flange SAE "D" (Includes Item 45)
*46A	830344	Flange SAE "C" (Includes Item 45)
47	870101	Retaining Ring
48	870492	Lock Washer - 8 Req'd.
49	872734	Cap Screw - 8 Req'd.
50		See Item 28
51	841707	Shaft SAE "D"
*51A	841768	Shaft SAE "C"
52	870102	Retaining Ring
53	870642	Bearing
54	875243	Sq. Ring SAE "D"
*54A	871242	O'ring SAE "C"
55	870106	Shaft Seal
56	830231	Seal Retainer Assy. SAE "D" (Includes Item 55)
*56A	830338	Seal Retainer Assy. SAE "C" (Includes Item 55) Used With Items
57	870480	Lock Washer - 4 Req'd.
58	870150	Hex Bolt - 4 Req'd.
59	870281	Hex Bolt - 6 Req'd.
60	870492	Lock Washer - 6 Req'd.
61	872807	Retaining Ring - 2 Req'd. - Used With Items 4 6A, 51A, 54A & 56A

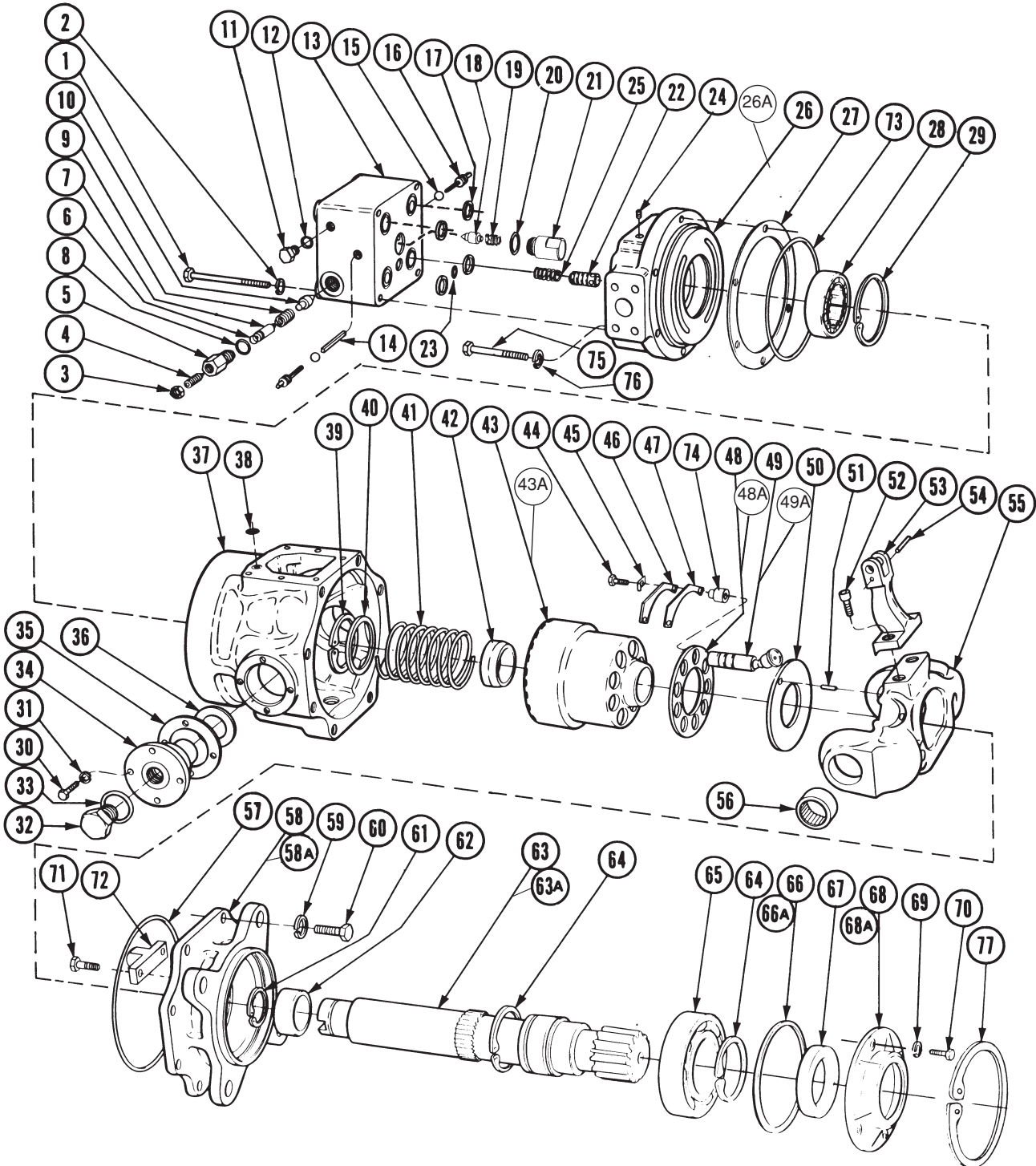
SERVICE KITS

894221	High Pressure Relief Valve Package, Includes Items 1, 2, 3, 4, 5, 6, 7, 8, 9, 10, 11, 12, 13, 14, 15, 16, 17, 18, 19, 20, 21 & 59
894238	Rotating Group 4.8 Includes Items 31, 32, 33, 34, 35, 36, 37, 38, 39, 40, 41, 42 & 43
894239	Rotating Group 6.0, Includes Items 31, 32, 33, 34, 35A, 36, 37, 38, 39, 40, 41A, 42A, 43
894240	SAE "D" Packing Kit, Includes Items 6, 8, 12, 17, 18, 19, 27, 37, 44, 54 & 55"
894241	Cover Kit, Includes Items 25, 26 & 27"
894192	SAE "D" Shaft Seal Kit, Includes Items 54, 55 & 56
894300	SAE "C" Shaft Seal Kit, Includes Items 54A, 55 & 56
894312	SAE "C" Packing Kit, Includes Items 6, 8, 12, 17, 18, 19, 27, 37, 44, 54A & 55

*Designates Parts Used On SAE "C" Mounting



DYNAPOWER PHASE IV MODEL 4.8 & 6.0 VARIABLE MOTOR PARTS DRAWING





DYNAPOWER PHASE IV MODEL 4.8 & 6.0 VARIABLE MOTOR

REF. NO.	PART NO.	REQ. NO	DESCRIPTION
1	870281	4	Hex Bolt
2	870492	4	Lock Washer
3	870563	2	Jam Nut
4	872732	2	Adjusting Screw
5	841701	2	Spring Seat
6	871012	2	O'Ring
7	841702	2	Spacer
8	871908	2	O'Ring
9	841700	2	Spring
10	841699	2	Valve
11	840146	2	Plug
12	871012	2	O'Ring
13	841696	1	Valve Housing
14	841703	1	Bleed Pin
15	872523	2	Ball
16	830377	2	Bleed Plug
17	876119	4	Sq. Ring
18	841699	1	Pilot Valve
19	841914	1	Spring
20	871120	1	O'Ring
21	841915	1	Spring Seat
22	841310	1	Valve
23	871113	1	O'Ring
24	872493	2	Plug
25	841295	2	Spring
26	841844	1	Cover 4.8
26A	841845	1	Cover 6.0
27	840073	1	Gasket
28	870648	1	Bearing
29	871946	1	Retaining Ring
30	870160	8	Hex Bolt
31	870480	8	Lock Washer
32	872678	2	Plug
33	871212	2	O'Ring
34	840756	2	Trunnion
35	840031	2	Gasket



DYNAPOWER PHASE IV MODEL 4.8 & 6.0 VARIABLE MOTOR

REF. NO.	PART NO.	REQ. NO	DESCRIPTION
36	840029	2	Thrust Washer
37	840024	1	Housing
38	871011	1	O'Ring
39	870103	1	Retaining Ring
40	840023	1	Upper Spring Seat
41	840022	1	Spring
42	840021	1	Lower Spring Seat
43	841664	1	Cylinder Block 4.8
43A	841665	1	Cylinder Block 6.0
44	870181	4	Hex Bolt
45	841163	4	Tab Lock Washer
46	850061	2	Crescent Clip
47	850060	2	Crescent Bearing
48	841225	1	Return Plate 4.8
48A	840898	1	Return Plate 6.0
49	830697	9	Piston Assembly 4.8
49A	830698	9	Piston Assembly 6.0
50	841226	1	Wear Plate
51	870045	1	Roll Pin
52	870377	2	Cap Screw. See Item 55A
53	840897	1	Lever Assembly (Includes Item 54) See Item 55A
54	840067	1	Pin
55	841185	1	Cam Assembly
56	870647	2	Trunnion Bearing
57	875261	1	Sq. Ring
58	841228	1	Flange SAE "D"
*58A	841763	1	Flange SAE "C"
59	870492	8	Lock Washer
60	870194	8	Hex Bolt
61	870101	1	Retaining Ring
62		(See Item 28)	
63	841704	1	Shaft SAE "D"
*63A	841767	1	Shaft SAE "C"
64	870102	2	Retaining Ring
65	870642	1	Bearing
66	875243	1	O'Ring SAE "D"



DYNAPOWER PHASE IV MODEL 4.8 & 6.0 VARIABLE MOTOR

REF. NO.	PART NO.	REQ. NO	DESCRIPTION
*66A	871242	1	O'Ring SAE "C"
67	870106	1	Shaft Seal
68	830231	1	Seal Retainer Assembly SAE "D" (Includes Item 67)
*68A	830338	1	Seal Assembly SAE "C" (Includes Item 67)
69	870480	4	Lock Washer
70	870150	4	Hex Bolt
71	870162	2	Hex Bolt
72	840165		0 Degree Cam Stop
	840170		5 Degree Cam Stop
	840172		7 Degree Cam Stop
	840175		10 Degree Cam Stop
73	871158	1	O'Ring
74	841248	4	Spacer
75	870274	6	Hex Bolt
76	870492	6	Lock Washer
*77	872807	2	Retaining Ring

SERVICE KITS

PART NO.	FLANGE TYPE	DESCRIPTION
842211		H.P. Relief Valve Package Includes Item 1,2,3,4,5,6,7,8,9,10,11,12,13,48,15,16,17,18,19,20,21
894230		4.8 Rotating Group Includes Items 39,40,41,42,43,44,45,46,47,48,49,50,74
894237	SAE "C"	Packing Kit Includes Items 6,8,12,17,18,19,27,33,35,36,38,46,47,57,66,67,73
894241		Cover Kit Includes Items 25,26,27,73
894192	SAE "D"	Shaft Seal Kit Includes Items 66,68
894300	SAE "C"	Shaft Seal Kit Includes Items 66, 68A
894313	SAE "C"	Packing Kit Includes Items 6,8,12,17,18,19,27,33,35,36,38,46,47,57,66A,67,73
894231		6.0 Rotating Group Includes Items 39,40,41,42,43A,44,45,46,47,48A,49A,50,74

Designates parts used on SAE "C" mounting